

**Henderson ISD
Board Background**

Subject: Consider approval of open display merchandisers for the High School

Presented for: Action X

Report Only _____

Background Information

Child Nutrition staff have identified the need for additional cafeteria equipment to support food service operations. While the serving lines were previously approved by the Board, the open display merchandisers were not included in those prior approvals.

The proposed purchase includes four open display merchandisers for the high school cafeteria. These units will provide attractive and accessible refrigerated display space for food and beverage items, improve product visibility, and support efficient meal service operations. The merchandisers will enhance the overall functionality of the cafeteria and contribute to a positive dining experience for students and staff.

Administration has reviewed the proposed equipment and pricing and determined that the purchase is necessary to ensure the high school cafeteria is fully equipped and operational. Funding for this purchase is available within the budget.

Recommendation

Approve the purchase of four open display merchandisers for the high school cafeteria from Mission Restaurant Supply in the amount of \$33,686.00.

Contact Person(s):

Nikki Warner
Marsha Jackson

REQ DATE
05/19/2026

HENDERSON INDEPENDENT SCHOOL DISTRICT

300 CROSBY
 HENDERSON, TEXAS 75652
 accountspayable@hendersonisd.org
 PHONE: 903-655-5000
 FAX: 903-657-9271
 EFI #1-75-6001770

REQUISITION NUMBER
0000057203

VENDOR KEY : MISSION 000
 SHIP DATE : 05/19/2026
 FISCAL YEAR : 2025-2026
 ENTERED BY : JACKSMAR000
 ORIGINAL REQ # : 0000057203

PRINTED 06/02/2026

VENDOR:
 MISSION RESTAURANT SUPPLY
 PO Box 10310
 SAN ANTONIO, TX 78210

SHIP TO:
 HENDERSON INDEPENDENT SCHOOL DISTRICT
 300 CROSBY DR
 HENDERSON, TX 75652

PHONE: (972) 230-5000

ATTN: MARSHA JACKSON

Contract Nbr: Region 7 ESC Co-Op Region 7 ESC Purchasing Co-Op

QUANTITY	UNIT	DESCRIPTION OF ITEMS OR MATERIALS	UNIT PRICE	AMOUNT
4	EACH	Federal Industries UCRSL4833S Undercounter SlimLine Refrigerated SelfServe Merchandiser, self contained refrigeration with condensate evaporator, 477/10"W x 24"D x 32 1/2"H, square ends, electronic temperature controls, 3500 LED top lights, black interior, exterior & top, black powder coated steel base, 2.5" recessed casters and leg levelers, R290 Refrigerant, UL, cUL, UL Sanitation listed to NSF7, Made in USA, DOE 2017 complian	7895.00000	31,580.00
4	EACH	Laminate standard color Black		
4	EACH	Night curtain	177.00000	708.00
4		Note: This quotation is valid based on current tariff and import duty rates. In the event of any changes to applicable tariffs or import taxes following the date of this quote, we reserve the right to apply corresponding surcharges		
1		FREIGHT	1398.00000	1,398.00
ACCOUNT SUMMARY (FOR INTERNAL USE)				
		ACCOUNT NUMBER	ACCOUNT AMOUNT	
		240 E 35 6639 00 001 0 99 000	33,686.00	
COOP EXP: 06/18/2027				
COMMCODE: FURNITURE & EQUIPMENT OVER \$5,000				
PAGE TOTAL				33,686.00
TOTAL				33,686.00

This is a Requisition and not an official Purchase Order.
 The District is not financially responsible for the
 unauthorized purchases made with a Requisition.



05/13/2026

Quote

Project: Henderson ISD-Federal Merchandisers
1900 Hwy 64
Henderson, TX 75654

From: Mission Restaurant Supply
Ft. Worth Division
Wyatt Carrell
2524 White Settlement Rd.
Ft. Worth, TX 76107
(817) 265-3973 ex 2801
(817) 860-4599 Fax

Job Reference Number: OPP18635

Item	Qty	Description	Sell	Sell Total
7	4 ea	OPEN DISPLAY MERCHANDISER Federal Industries UCRSL4833S Undercounter Slim-Line Refrigerated Self-Serve Merchandiser, self-contained refrigeration with condensate evaporator, 47-7/10"W x 24"D x 32-1/2"H, square ends, electronic temperature controls, 3500 LED top lights, black interior, exterior & top, black powder coated steel base, 2.5" recessed casters and leg levelers, R290 Refrigerant, UL, cUL, UL Sanitation listed to NSF-7, Made in USA, DOE 2017 compliant	\$7,895.00	\$31,580.00
	4 ea	Laminate standard color - Black		
	4 ea	Night curtain	\$177.00	\$708.00
	4 ea	Note: This quotation is valid based on current tariff and import duty rates. In the event of any changes to applicable tariffs or import taxes following the date of this quote, we reserve the right to apply corresponding surcharges		
			Extended Total:	\$32,288.00
FRT	1 ea	FREIGHT Federal Industries FREIGHT Estimated Freight to Henderson, Texas 75652 ** Liftgate, if needed, additional cost is \$200.00 ** Freight estimate is only valid for 7 days. **Estimated Lead Time: 2-3 WEEKS**	\$1,398.00	\$1,398.00
			Extended Total:	\$1,398.00
			Subtotal	\$33,686.00
			Total	\$33,686.00

Prices Good Until: 06/12/2026

PAYMENT TERMS

Net 30 Days with School Purchase Order issued and noted on invoice.

EQUIPMENT DELIVERY

Do not sign for your delivery without inspecting it for freight damage. If there is any visible damage the best course of action is to refuse the delivery completely. Notate on the delivery receipt: "Refused Damaged" and notify us at 800-319-0690. Once we get confirmation from the carrier that the delivery was refused a replacement will be shipped to you. If you discover damage after you sign for the delivery, we will not be able to send a replacement and you will need to file a damage claim with the carrier within five (5) business days.

RETURN POLICY

There is a 25% re-stocking fee applied to all items that are refundable. Items labeled as "used," "non-stock" (specially ordered from the manufacturer), "made to order" (custom-made), or "special order" might be non-refundable or require a higher re-stocking fee, determined by the manufacturer. Products cannot be returned without prior authorization of a Mission Restaurant Supply Customer Service Representative. If for any reason you wish to return or exchange an item or your entire order, please contact us via e-mail returns@missionrs.com or toll free at 800-319-0690. To receive a credit (except for freight charges), items must be returned freight prepaid within 30 days of receiving your order, unopened, and in the same unused condition we shipped it to you. Freight is **NON-REFUNDABLE**.

DAMAGE POLICY

Inspect your shipment for any damages BEFORE signing. The delivery driver is required to wait for your thorough inspection. REFUSE the damaged shipment, notate "Refused Damaged" on the delivery receipt, and notify us at 800-319-0690. Once we get confirmation from the carrier of the refusal, a replacement will be shipped to you. Should you choose to sign for the delivery and notice damage later, it will be your responsibility to file a freight claim with the carrier. MissionRS is not responsible for the outcome of your claim.

SPECIAL ORDERS

Special Order, Made to Order (custom-made), and Non-Stock items (specially ordered from the manufacturer) are **NON-REFUNDABLE**.

STANDARD EXCLUSIONS

Plumbing and electrical hook-ups, including all indirect waste drains, back flow preventers, roof penetrations/resealing, curbs, supports, and pads are not included in this quote unless otherwise indicated.

APPLICABLE FEES

Freight and sales tax* may be applicable and may be reflected on final invoice. Processing fees may apply.

*Completed sales tax exemptions certificates must be provided to be considered exempt.

ERRORS

Mission Restaurant Supply reserves the right to correct pricing or typographical errors on this quote and refuse or cancel any order placed for said price.

REGULATED BY THE TEXAS DEPARTMENT OF LICENSING AND REGULATION, P.O. Box 12157, Austin, TX 78711. (800) 803-9202,
(512) 463-6599. www.tdlr.texas.gov Texas Refrigeration Licenses #TACLB42276C, #TACLB022617R, #TACLB020056R,
#TACLB26723R

Acceptance: _____ Date: _____
Printed Name: _____



The Signature of Quality®

FEDERAL INDUSTRIES

A Standex Company
215 Federal Avenue
Belleville, WI 53508-9201
Phone: 800-356-4206
Fax: 608-424-3234
Email: geninfo@federalind.com
Website: www.federalind.com

Project Name: _____

Item #: _____

Model #: _____ Qty: _____

Approval: _____

AIA#

SIS#

UNDER COUNTER SL - Square End, Refrigerated, Self-Serve Display Case

Incorporate into your own counter to drive product sales. The under-counter merchandiser will entice customers with last minute impulse sales through visual appeal.



Shown with optional accessories



Counter not included

MODEL	DIMENSIONS (Includes End Panels)
<input type="checkbox"/> UCRSL3633S	35.7 x 24 x 32.5 (in) 907 x 610 x 826 (mm)
<input type="checkbox"/> UCRSL4833S	47.7 x 24 x 32.5 (in) 1212 x 610 x 826 (mm)
<input type="checkbox"/> UCRSL6033S	59.7 x 24 x 32.5 (in) 1516 x 610 x 826 (mm)
<input type="checkbox"/> UCRSL7233S	71.7 x 24 x 32.5 (in) 1821 x 610 x 826(mm)

STANDARD FEATURES

Model Features

- Black interior
- Squared ends with mirrored liner
- Black top
- Black 1 step riser
- Black powder coated steel base
- Black exterior. Other finishes optional
- Light and power switch on back of case
- Front access to refrigeration system for quick and easy service
- Cord & plug
- Recessed casters with adjustable leg lever

Refrigeration

- On-Demand PTC condensate evaporator provided for a totally self-contained system
- Electronic temperature controls maintain 38° - 40°F
- Easy clean, rustproof insulated evaporator coil compartment
- Rear condensing unit air intake & discharge
- R290 Refrigerant
- Thermometer

Lighting

- 3500 LED top light

Agency Approvals

- UL, C-UL and UL Sanitation listed to NSF-7, Type II conditions
- DOE 2017 compliant

OPTIONAL ACCESSORIES

- White or stainless interior (Including step riser or shelf)
- Glass, stainless steel, white or black solid shelf w/ LED light
- Special exterior finish
- Energy saving night curtain
- Security night cover
- Condensate pump
- 6" Legs
- 4" Casters
- Rear air intake, front discharge



WARRANTY*
One year Parts and Labor
2nd thru 5th year part only service compressor
(U.S.A and Canada)



Note: Information is subject to change at any time. Visit www.federalind.com for the most current specs.

AIA#

UNDER COUNTER SL - Square End, Refrigerated, Self-Serve Display Case

SIS#

Product Specifications

Intended Environment: Type II - Designed to operate in maximum ambient conditions of 80°F (24°C) and 55% relative humidity.

Zone	Intended Product To Be Displayed	Avg Prod Temp °F/°C
All	Packaged Refrigerated Products	38°F / (3.3°C)

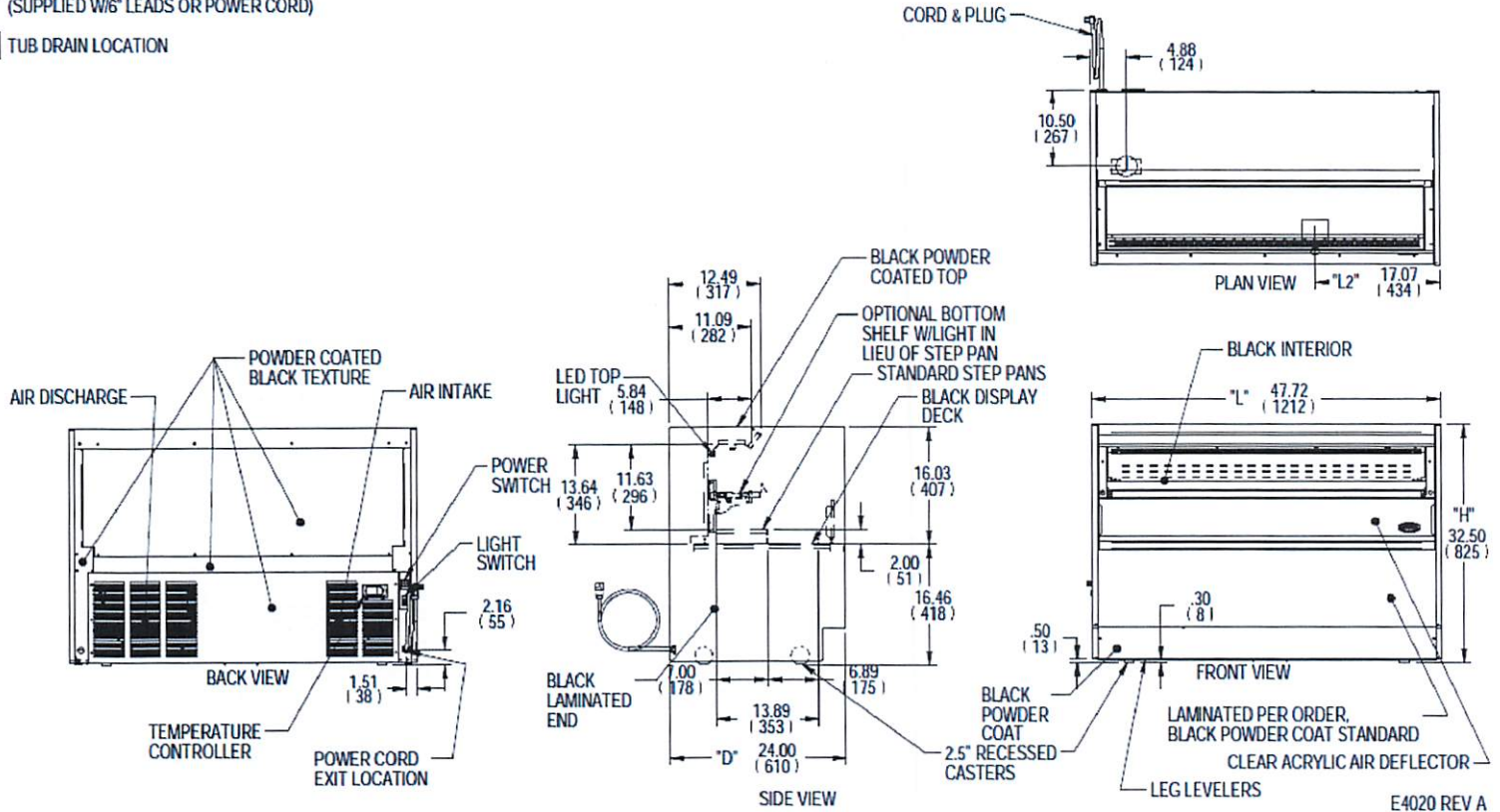
DIMENSION: xx"/(mm)

DIMENSION TOLERANCE +/- 0.25 (6.4)

SYMBOL KEY:

⊕ ELECTRICAL JUNCTION BOX
(SUPPLIED W/6" LEADS OR POWER CORD)

□ TUB DRAIN LOCATION



E4020 REV A

MODEL	DIMENSION				TUB DRAIN	STEP RISER			INTERIOR VOLUME CU FT	ELECTRICAL	STANDARD CONNECTION			REFRIGERANT	CONDENSATE REMOVAL	SHIP WEIGHT	
	L	D	H	L2		# OF STEPS	D	L			2-WIRE + GROUND	CORD & PLUG					
	in	in	in	in			in	in				AMPS	MAX FUSE SIZE				NEMA CORD & PLUG
	mm	mm	mm	mm			mm	mm									
UCRSL3633S	35.7	24.0	32.5	8.01	1	7.00	33.6	120/60/1	10.0	15	5-15	R290	CONDENSATE PAN	365 LBS			
	907	610	826	203		178	853							166 KILO			
UCRSL4833S	47.7	24.0	32.5	17.01	1	7.00	45.6	120/60/1	10.0	15	5-15	R290	CONDENSATE PAN	495 LBS			
	1212	610	826	432		178	1158							224 KILO			
UCRSL6033S	59.7	24.0	32.5	22.01	1	7.00	57.6	120/60/1	16.0	20	5-20	R290	CONDENSATE PAN	620 LBS			
	1516	610	826	559		178	1463							281 KILO			
UCRSL7233S	71.7	24.0	32.5	28.01	1	7.00	69.6	120/60/1	16.0	20	5-20	R290	CONDENSATE PAN	750 LBS			
	1821	610	826	711		178	1768							340 KILO			

- Case temperature will vary if the air curtain is disrupted.
- Due to continuing engineering improvements, specifications are subject to change without notice.

DOE 2017
Energy Efficiency
Compliant



The Signature of Quality

FEDERAL INDUSTRIES

A Standex Company

215 Federal Avenue Belleville, Wisconsin 53508-9201

Phone: 800-356-4206

Fax: 608-424-3234

Email: Geninfo@Federalind.com

Website: Federalind.com



The Signature of Quality™

STANDARD COLOR LAMINATES



Special color laminates are available at additional cost and may affect delivery schedule.

Due to variations in the printing process, color may not be exact match. Please contact the factory for samples.



Federal Industries • Standex Food Service • 215 Federal Avenue • Belleville, WI 53508-0290
800-356-4206 • FAX: 608-424-3234 • www.federalind.com

FEDERAL INDUSTRIES — REFRIGERATED & NON-REFRIGERATED BAKERY, HOT & COLD DELI DISPLAYS