

MINIDOKA HIGH SCHOOL
RUPERT, ID
FOOTBALL - RETROFIT
25-4719-FB-50FC-AGI

1. THIS LIGHTING DESIGN IS BASED ON INFORMATION SUPPLIED BY OTHERS. SITE DETAILS PROVIDED HEREON ARE REPRODUCED ONLY AS A GUIDELINE AND FIELD CONDITIONS MAY SIGNIFICANTLY AFFECT PREDICTED PERFORMANCE. PRIOR TO INSTALLATION, CRITICAL SITE INFORMATION (POLE LOCATION, OBSTRUCTION, MOUNTING HEIGHT, ETC.) SHOULD BE COORDINATED WITH THE CONTRACTOR AND/OR SPECIFIER RESPONSIBLE FOR THE PROJECT.
 2. LUMINAIRE DATA IS TESTED TO INDUSTRY STANDARDS UNDER LABORATORY CONDITIONS. OPERATING VOLTAGE AND NOMINAL MANUFACTURING TOLERANCES OF LUMINAIRE AND LUMINAIRE MOUNTS MAY AFFECT FIELD RESULTS.
 3. COMPLIANCE TO FACILITY CODE AND OTHER LOCAL REQUIREMENTS IS THE RESPONSIBILITY OF THE OWNER AND/OR THE OWNER'S REPRESENTATIVE.

DRAWN BY: KBER
Date: 11/4/2025
SCALE: NTS
Page 1 of 1
25-4719-FB-50FC-AGI

Pole Summary		
Scene: DEFAULT		
Poles	# Lums	MH
P1	12	60'
P2	12	60'
P3	12	60'
P4	12	60'

Pole Wattage Summary	
Scene: DEFAULT	
Label	Total Watts
P1	9600
P2	9600
P3	9600
P4	9600
TOTAL	38400

Luminaire Schedule					
Scene: DEFAULT					
Symbol	Qty	Label	LLF	Lum. Watts	Arrangement
☐	16	TSL_M-20EV-NLV	0.950	800	Single
☐	32	TSL_N-20EV-NLV	0.950	800	Single

Calculation Summary											
Scene: DEFAULT											
Label	Area Size	Units	Avg	Max	Min	Max/Min	# Pts	PtSpLr	PtSpTb	CV	UG
FOOTBALL	360'x160'	Fc	52.93	67.6	40.3	1.68	72	30	30	0.15	1.64

TSL800W

FIXTURE



Standard Visor



Extended Visor (optional)



TSL800W

TECHNICAL DATA

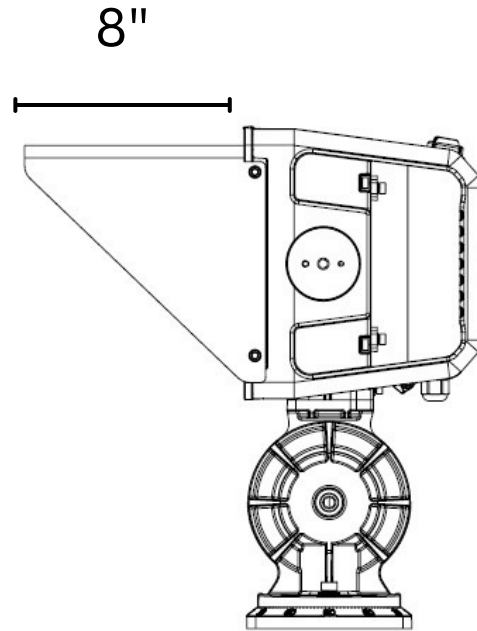
SYSTEM WATTS	800w
LUMEN OUTPUT	113,600
EFFICACY	142 LM/W
LIFE EXPECTANCY	L70 > 138,000h
EPA	1.8*
WEIGHT	45 lbs
BEAM ANGLE	N, M, W, EW
POWER FACTOR	@277v >.99 @480v >.96
CCT	5700K
CRI	>70Ra
INPUT VOLTAGE	200-480v
INPUT PROTECTION	10KV Current Surge
DRIVER	Integral
IP RATING	IP66
OPERATING TEMP RANGE	-40° C to +50°C
HOUSING MATERIAL	Aluminum, Powder Coated
CONTROLS	0-10v, DMX, DALI

*EPA at 10° below horizontal

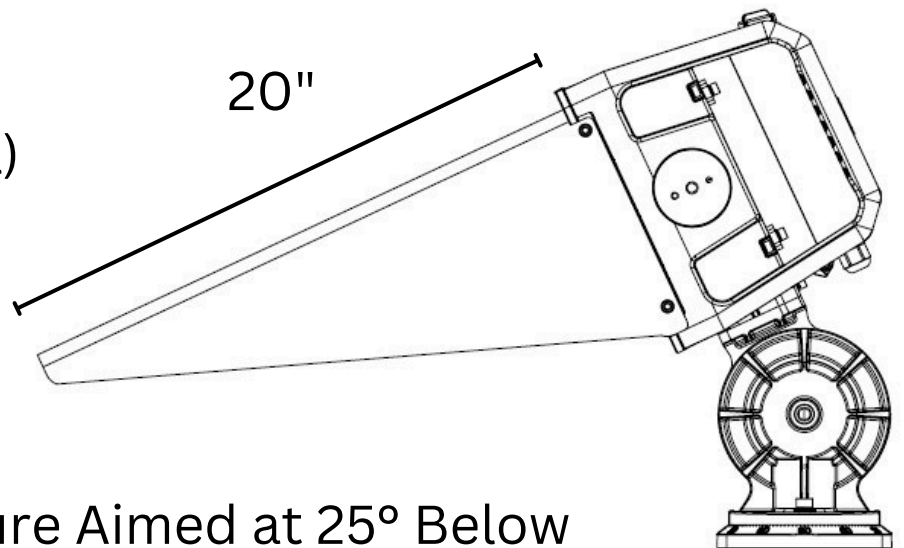
TSL800W

VISOR OPTIONS

Standard Visor



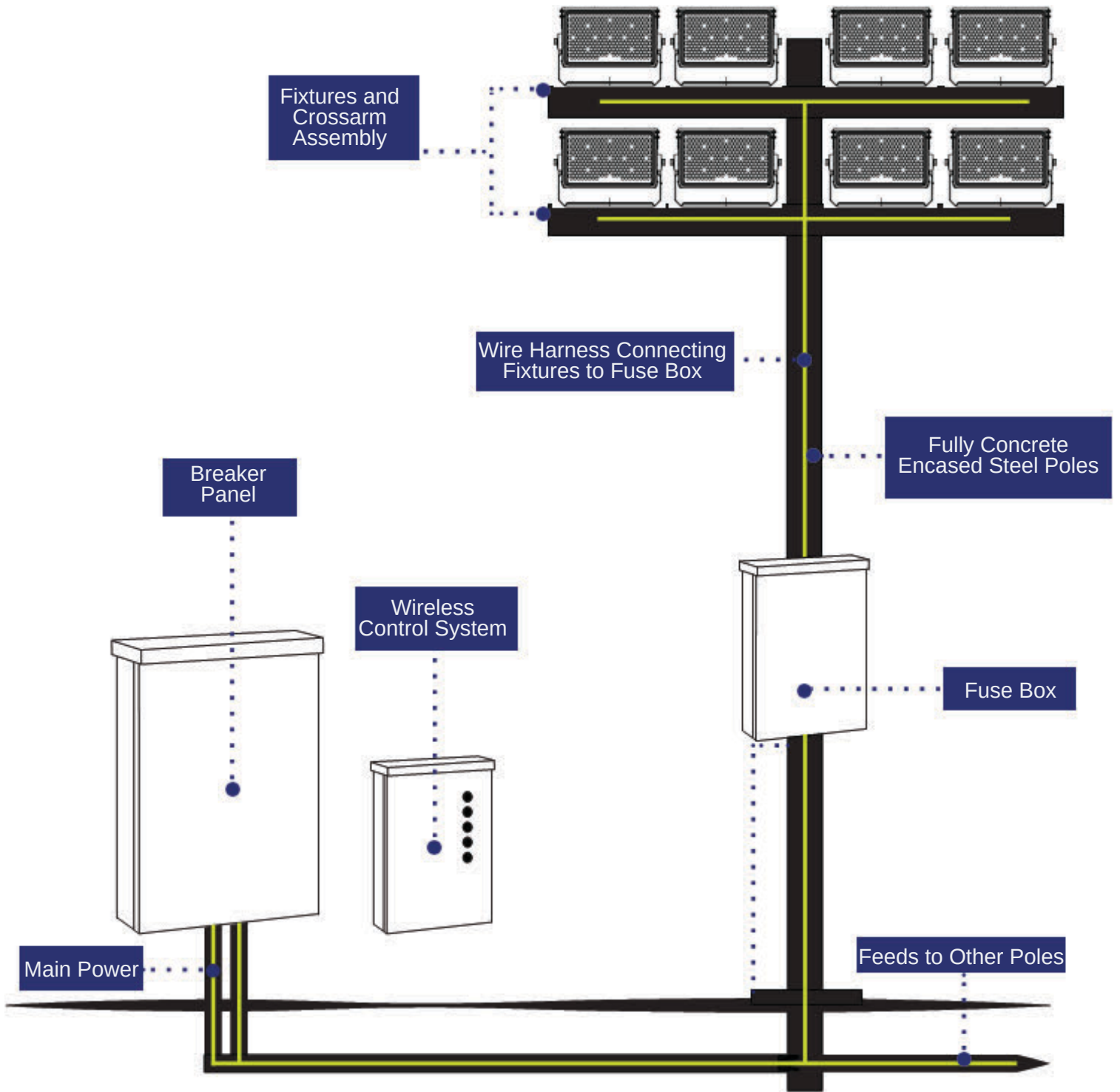
Extended Visor (optional)



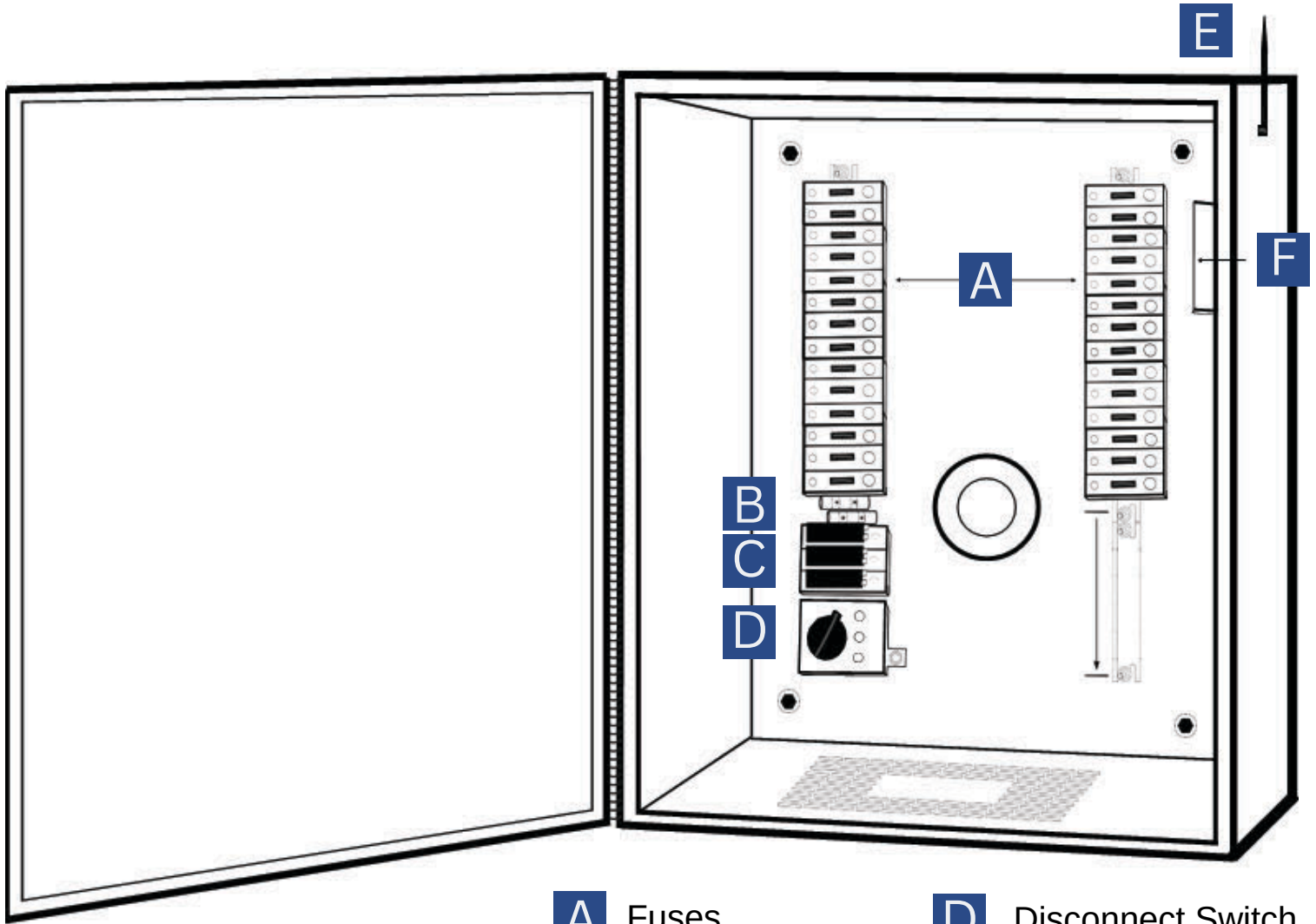
Fixture Aimed at 25° Below
Horizontal

800 Watt

System Drawing



Fuse Box



Drawings do not designate fuse size, wiring, NEMA Box Type, distribution block information, disconnect switch size, ampacity, and surge arrester specification

Drawing depicts a typical Fuse Box (Control Enclosure)

A customized Fuse Box will be Designed for any Specific Required Application

- A** Fuses
- B** Ground Block
- C** Distribution Block
- D** Disconnect Switch
- E** Wireless Antenna
- F** Wireless Relay Dimming-On/Off

G * Alternate Control Option *
 Simple On/Off No Dimming
 Allows Digital Contactor (AirMesh Hub by Synapse) the Ability to Remotely Turn Lights On/Off. This Option DOES NOT allow Dimming Capability

Technical Data

Wireless Controller

Product Overview

The Wireless Controller is a SimplySNAP component that can be installed anywhere you need wireless push-button lighting control, such as municipal ballparks, hockey arenas, basketball facilities, and other multi-use complexes.

The heart of the wireless controller is the SS450 site controller, contained in the NEMA 4X enclosure with 5 buttons that allow for controlled manual access to site lighting.

The Wireless Controller makes it easy for electricians to quickly install the SimplySNAP site controller and enables quick and simple access to a switch station that can be programmed to meet the needs of the end-user.

Features

- Allows for dimming and Action Lighting capabilities
- Weather protected - perfect for both indoor and outdoor applications
- Optional, pre-configured 5-button switch to allow for control of all lighting within the facility
- External Ethernet port for connecting to IT network

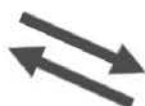


To learn more call or visit:
synapsewireless.com
 (877) 982-7888

Product #	CBSSW-450-001 Cellular & WiFi
Description	SS-450-based model w/5 button switch
Dimensions	15.5" x 13.5" x 7.7" (393 x 342 x 195 mm)
Input Power	90-120 VAC; 8W max, 6kV surge protection
Operating Environment	-20°C to +55°C, IP65
Radio	SNAP 2.4GHz 802.15.4 WiFi 2.4GHz 802.11 b/g/n
Certifications	FCC/IC Tested to CAN/CSA C22.2 #60950-1/A2:2014 & UL 60950-1/R:2014-10

Technical Data

Wireless Controls



TECHLINE 10 YEAR WARRANTY

10 Year Warranty

Techline Sports Lighting, LLC (“TSL”) will provide all materials and labor to maintain operation of your lighting system to original design criteria for 10 years. TSL products and services are guaranteed to perform on your project as detailed in this document.

TSL warrants your lighting system to be free from defects in materials and workmanship for a period of 10 years starting from date of product shipment. TSL agrees to provide labor and materials to replace defective parts or repair defects in workmanship to maintain original design performance criteria. This includes all TSL manufactured product (such as wire harnesses, drivers, luminaires, poles).

Terms & Conditions

Service under this Contract is provided by Techline Sports Lighting, LLC (“TSL”) or an authorized servicer approved by TSL. Services performed under this Contract shall consist of furnishing labor and parts necessary to restore the operation of the Covered Product(s) to original design criteria provided such service is necessitated by failure of the Covered Product(s) during normal usage.

“We”, “us” and “our” mean TSL. “You” and “your” mean the purchaser of the Covered Product(s). No one has the authority to change this Contract without the prior written approval of TSL. TSL shall not assume responsibility for their agents or assignees other than as described below. If there is a conflict between the terms of this Contract and information communicated either orally or in writing by one or more of our employees or agents, this Contract shall control.

Additional Provisions

- 1. Availability of Service:** TSL Warranty support team members can receive messages 24/7 via web site, phone, fax, or email. Support team members shall be available to respond to requests from 8AM to 5PM Central Time, and services shall be rendered during these same hours in your local time zone, Monday through Friday (with the exception of national holidays). Hours of operation are subject to change without notice. TSL will exercise all reasonable efforts to perform service under this Contract, but will not be responsible for delays or failure in performing such services caused by adverse weather conditions, acts of any government, failure of transportation, accidents, riots, war, labor actions or strikes or other causes beyond its control.
- 2. Determination of Repairs:** TSL will utilize any field monitoring system plus any information provided by the customer to determine when the usage of the field is materially impacted. From this information, TSL will determine needed repair and/or replacement of Covered Product(s) and parts. Repair will be with product(s) of like kind and quality. Warranty claims will be processed if fixture outages cause more than 10% of the guaranteed light levels to be affected and the field of play is materially impacted.
- 3. Your Requirements Under this Contract:** Must meet all electrical and installation requirements as specified by the manufacturer. In addition, you promise and assure: full cooperation with TSL, TSL’s technicians and authorized servicers during telephone diagnosis and repair of the Covered Product(s); reasonable accessibility of the Covered Product(s); a non-threatening and safe environment for service. You agree to check fuses and replace them as needed. Electrical system must provide quality power within + / - 3% of nominal voltage. You agree to keep your Techline Sports Lighting system online. This means keeping the required control voltage to the control system at all times. Any deviation from this practice must be discussed with TSL’s Warranty Department.
- 4. Service Limitations - This Contract does not cover:** Maintenance, repair or replacement necessitated by loss or damage resulting from any external causes such as, but not limited to, theft, environmental conditions, negligence, misuse, abuse, improper electrical/power supply, unauthorized repairs by third parties, attachments, damage to cabinetry, equipment modifications, vandalism, animal or insect infestation, physical damage to Covered Products parts or components, failure of existing structures, supporting electrical systems or any non-TSL equipment, or acts of God/nature (including, but not limited to: earthquake, flood, tornadoes, typhoons, hurricanes or lightning). Warranty assumes poles are accessible with a standard lift not more than 10 feet taller than the mounting height of the pole being serviced. If larger lifts are required to service poles that are inaccessible due to infrastructure or other site conditions, additional charges may apply. If other obstructions exist that impede access to the pole being serviced, such as attached cellular antenna structures, additional charges may apply.

TECHLINE 10 YEAR WARRANTY

5. Contract Limitations:

- i. Exclusions from Coverage: IN NO EVENT WILL TSL BE LIABLE FOR ANY SPECIAL, INDIRECT, INCIDENTAL OR CONSEQUENTIAL DAMAGES WHICH INCLUDE, BUT ARE NOT LIMITED TO, ANY DELAY IN RENDERING SERVICE OR LOSS OF USE DURING THE REPAIR PERIOD OF THE COVERED PRODUCT(S) OR WHILE OTHERWISE AWAITING PARTS.
 - ii. Limitation of Liability: To the extent permitted by applicable law, the liability of TSL, if any, for any allegedly defective Covered Product(s) or components shall be limited to repair or replacement of the Covered Product(s) or components at TSL's option. THIS CONTRACT IS YOUR SOLE EXPRESS WARRANTY WITH RESPECT TO THE COVERED PRODUCT(S). ALL IMPLIED WARRANTIES WITH RESPECT TO THE COVERED PRODUCT(S) INCLUDING, BUT NOT LIMITED TO, IMPLIED WARRANTIES OF MERCHANTABILITY AND FITNESS FOR A PARTICULAR PURPOSE, ARE HEREBY EXPRESSLY EXCLUDED.
 - iii. For the purposes of and by your acceptance of this Contract you acknowledge and agree that if a surety bond ("Bond") is provided the warranty and/or maintenance guarantee provided for in this Contract and any corresponding liability on behalf of the issuing surety under the Bond is limited to the first twelve (12) months of said warranty and/or maintenance guarantee coverage period. Any warranty and/or guarantee coverage period in excess of said initial 12-month period does not fall within the scope of the Bond and shall be the sole responsibility of TSL.
 - iv. TSL requires reasonable access for a crane or man lift equipment to service the lighting system. TSL will not be responsible for damage from operating the vehicle on the property when the equipment is operated in the prescribed manner over the designated access route.
 - v. TSL will make every effort to maintain any component of our sports lighting system for the entirety of the warranty period. Advances in technology and obsolescence of some components, including but not limited to; regulatory changes, cellular upgrades, and other items beyond our control, could possibly render this impossible for some components in the future. TSL will always make every effort to support our system as long as manufactured components are available.
6. **Transfer and Assignment:** Except to owners, you shall not have the right to assign or otherwise transfer your rights and obligations under this Contract except with the prior written consent of TSL; however, a successor in interest by merger, operation of law, assignment or purchase or otherwise of your entire business shall acquire all of your interests under this Contract.
7. **Governing Law:** Unless otherwise governed by applicable state law, the Contract shall be interpreted and enforced according to the laws of the State of Texas.
8. **Subrogation:** In the event TSL repairs or replaces any Covered Product(s), parts or components due to any defect for which the manufacturer or its agents or suppliers may be legally responsible, you agree to assign your rights of recovery to TSL. You will be reimbursed for any reasonable costs and expenses you may incur in connection with the assignment of your rights. You will be made whole before TSL retains any amounts it may recover.

Techline Sports Lighting, LLC has a team of people to ensure fulfillment of our product and services warranty and maintains financial reserves dedicated to support our fulfillment of this warranty. Please keep this document as your signed contract guaranteeing comprehensive service for the 10 year period.

Effective Date:



Techline Sports Lighting, LLC.
Rodney M. Hawthorne
President



Fontana High School – Fontana, CA

Fontana High School in Fontana, California was looking to replace and upgrade their old lighting system for their football/multisport stadium. Their current system required a long time to “warm up” and had become very dim, creating potential safety issues for their student-athletes. Techline Sports Lighting provided our latest LED Retrofit Solution, which allowed them to reuse their existing poles, reducing their acquisition cost even further.

Techline Sports Lighting reduced their fixture count by over 30%, and increased their light levels by more than 70%, all while minimizing glare and spill concerns to surrounding areas.

“We needed to replace our old lighting system with one that is brighter, cleaner, and more efficient. And with Techline Sports Lighting, our goals were easily exceeded. Our new system is over 70% brighter, with no warm up time. We love the instant on/off! We also can schedule the lights on and off preventing energy waste and unauthorized use of the lights. After 60+ years of being one of the darkest fields around, it feels like we are playing in daylight. Everyone from the kids, to the fans, to the media all took the time to comment on how much brighter the stadium was. Everything has been fantastic, working with the Techline staff.”

Brandon Colbrunn
Athletic Director – Fontana High School



44 LED Fixtures

16 Retrofit
Cross-Arms

72% Increased
Light Levels

>60%
Energy Savings



Why Techline

For more than 20 years, Techline Sports lighting has been a nationwide leader in sports lighting solutions. From professional and college stadiums, to high school fields and municipal sports complexes, Techline Sports Lighting offers a complete range of sports lighting solutions. From design to installation, our in-house team of engineers, designers, electricians, installers, sales and support staff partner with you to provide a turnkey, state-of-the-art, maintenance free LED lighting solution all at an incredible value.



Helix Charter High School - La Mesa, CA

Helix Charter High School wanted to replace their old, existing metal halide lights with a state-of-the-art LED solution, but were concerned with glare and spill to the surrounding neighborhood. They also wanted to remove maintenance costs while not interrupting any school activities. Most importantly, they wanted accomplish these goals while coming in under budget. Techline Sports Lighting installed our LED Upgrade turnkey solution, including wireless controls, event scheduling, remote access, instant on/off, and dimming capabilities, all while reducing energy consumption over 50% and providing a 100% comprehensive maintenance free warranty. Helix Charter High School came in ahead of schedule and under budget with no interruption to school activities.

"We looked into multiple lighting companies before partnering with Techline Sports Lighting and we couldn't be happier. They have been great throughout the entire process, from budgetary proposals, to flexible design options. Techline also took care of all DSA requirements prior to the project getting started. As an Athletic Director, it is a huge relief to have one company make the process as smooth as possible while saving us valuable time and money. The customer service has been top tier and we highly recommend working with Techline Sports Lighting on any of your Sports Lighting Projects."

Damon Chase

Grade Level Principal and Athletic Director - Helix Charter High School



62 LED Fixtures

100% Maintenance
Free Warranty

65% Increased
Light Levels

>50%
Energy Savings



Why Techline

For more than 20 years, Techline Sports lighting has been a nationwide leader in sports lighting solutions. From professional and college stadiums, to high school fields and municipal sports complexes, Techline Sports Lighting offers a complete range of sports lighting solutions. From design to installation, our in-house team of engineers, designers, electricians, installers, sales and support staff partner with you to provide a turnkey, state-of-the-art, maintenance free LED lighting solution all at an incredible value.

An aerial night photograph of a large sports stadium. The field is brightly lit with green lights, and the surrounding track and seating areas are illuminated with warm white lights. Several tall stadium light towers are visible around the perimeter of the field.

Mica Mountain High School - Tucson, AZ

Mica Mountain High School is located just outside Tucson, Arizona in the Vail Unified School District. This completely new high school construction included football/multisport, baseball, and softball fields. A key concern for the district was to ensure their lighting solution met the IES Lighting Standards as well as their local lighting ordinances for light spill and glare control. Techline Sports Lighting provided our turnkey LED lighting solution that exceeded IES and local lighting standards while virtually eliminating light trespass, providing instant on/off, customizable Action Lighting and wireless/remote controls.

"Techline Sports Lighting has been a tremendous partner with us. They were able to provide us with a state-of-the-art sports lighting system that benefits our student athletes while also eliminating any glare or spill into the surrounding neighborhoods. We have remote access to our system for scheduling of events and dynamic entertainment scenes which really gets the crowd excited! The fact that they are covering the entire system with their 25 year maintenance free warranty allows for us to have peace of mind moving forward. The best part of Techline Sports Lighting is their customer service. I would recommend working with Techline Sports Lighting and look forward to our continued partnership."

*Nemer Hassey - Principal
Mica Mountain HS - Tucson, AZ*



218 LED Fixtures

14 Pre-Engineered
Poles


48% Increased
Light Levels

74% Energy Savings



Why Techline

For more than 20 years, Techline Sports lighting has been a nationwide leader in sports lighting solutions. From professional and college stadiums, to high school fields and municipal sports complexes, Techline Sports Lighting offers a complete range of sports lighting solutions. From design to installation, our in-house team of engineers, designers, electricians, installers, sales and support staff partner with you to provide a turnkey, state-of-the-art, maintenance free LED lighting solution all at an incredible value.

An aerial night photograph of a football field. The field is illuminated by several tall stadium lights. The field is green with white yard lines and numbers. The end zones are blue with white text. The word 'OWLS' is visible on the left end zone and 'STADIUM' is visible on the right end zone. The stadium seating is visible in the background.

Reagan County High School - Big Lake, TX

Reagan County High School was looking to upgrade their football field lighting so their entire community could benefit from using the field, while reducing ongoing costs. Their old system was very dim, took a long time to “warm up” and needed constant maintenance. They needed a budget friendly system with no ongoing maintenance needs. Techline Sports Lighting installed their complete, turnkey LED solution, including remote control and scheduling, and their amazing Action Lighting. Along with instant on/off, dramatically improved light quality, glare and spill control, and reduced energy savings, this new system allowed the entire community to gain access to the field. The improved light quality and Action Lighting also renewed community pride.

“Right from the start, they led us through the process and made us feel comfortable. To me, this is a big decision and you want to make sure you’re getting quality and a great price. And with Techline Sports Lighting, we got what we wanted. The whole thing has been quality; from the lights to the service we received, all at a great price. The lights are phenomenal, it’s clear, it’s crisp, the kids are excited, the community is excited. These lights are the missing link to our amazing facility and it wouldn’t have been possible without Techline Sports Lighting.”

Eric Hallmark
Superintendent – Reagan County ISD



64 LED Fixtures

4 Pre-wired Pole
& CrossArm Assmys.

80% Increased
Light Levels

>65%
Energy Savings



Why Techline

For more than 20 years, Techline Sports lighting has been a nationwide leader in sports lighting solutions. From professional and college stadiums, to high school fields and municipal sports complexes, Techline Sports Lighting offers a complete range of sports lighting solutions. From design to installation, our in-house team of engineers, designers, electricians, installers, sales and support staff partner with you to provide a turnkey, state-of-the-art, maintenance free LED lighting solution all at an incredible value.